

**CD-9100-DNH High Resolution  
580 TVL Enhanced Day/Night  
CS-Mount Professional Camera**



**Installation Manual**

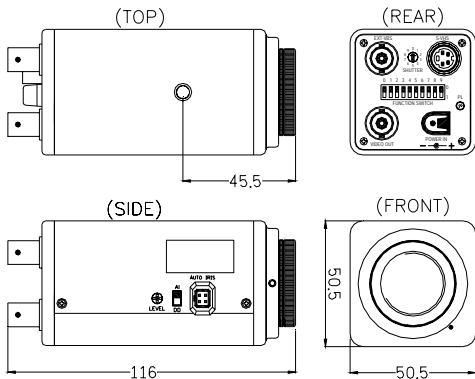
Professional Model CS-Mount 580 TVL  
Enhanced Resolution CCTV Day/Night Camera

## Camera Installation

1. **Camera Setup:**
  - a. Remote Lens Cap and adapter  
(Should be able to see bronze threads (not Black))



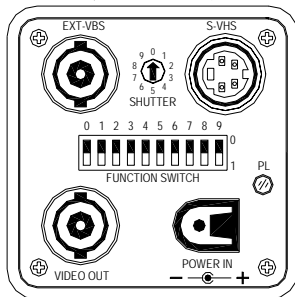
- b. Thread lens onto camera (Lens not included) and connect to AI Connector



## Camera Installation

- c. Set Switches as desired

(REAR)



| SW | " 1 "                      | " 0 "                                      |
|----|----------------------------|--|
| 0  | AGC ON                     | AGC OFF                                    |
| 1  | ATW                        | AWC  |
| 2  | AES<br>Auto Shutter Speed  | ALC<br>Manual Shutter                      |
| 3  | Normal Image               | Mirror Image                               |
| 4  | Backlight On               | Backlight Off                              |
| 5  | Normal                     | 2X Digital<br>Zoom                         |
| 6  | Resolution<br>Enhancements | No Resolution<br>Enhancements              |
| 7  | Flicker-less<br>OFF        | Flicker-less On<br>(for Fluorescent Light) |
| 8  | Normal                     | Crosshairs                                 |
| 9  | Normal                     | Color Bars                                 |

| SHUTTER | SPEED       |
|---------|-------------|
| 0       | 1/60sec.    |
| 1       | 1/100sec.   |
| 2       | 1/250sec.   |
| 3       | 1/500sec.   |
| 4       | 1/1000sec.  |
| 5       | 1/2000sec.  |
| 6       | 1/4000sec.  |
| 7       | 1/10000sec. |
| 8       | 1/100 sec.  |
| 9       | 1/250 sec.  |

## Platinum CCTV Surveillance Solutions

| <b>CD-9100-DNH High-Res Day/Night Camera</b> |                                  |
|--|----------------------------------|
| Image Sensor                                 | 1/3" Interline Transfer CCD      |
| Effective Element                            | NTSC: 510 (H) x 492 (V)          |
| Scanning System                              | 15.7343Khz (H), 60 Hz (V)        |
| Lens   | Not Included (accepts CS-Mount)  |
| Resolution                                   | 580 TVL                          |
| Auto-Iris                                    | Accepts DC-Drive and Video Drive |
| Video Output                                 | 1.0Vp-p75Ω                       |
| S/N Ratio                                    | >52dB                            |
| Shutter Time                                 | 1/60-1/100,000 Sec.              |
| Operation Temp.                              | -20°C ~ +50°C                    |
| Storage Temp.                                | -30°C ~ +60°C                    |
| Useable Illumination                         | 0.3 Lux (F:1.2)                  |
| Power Source                                 | DC 12V ± 10%                     |

### **Installation Notes**

- For Indoor Use Only
- Disassembly of camera is not recommended
- Remove protective cap from lens before use
- Handle with care
- Never touch Image Sensor